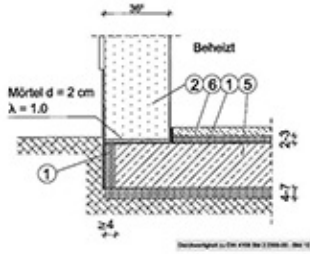
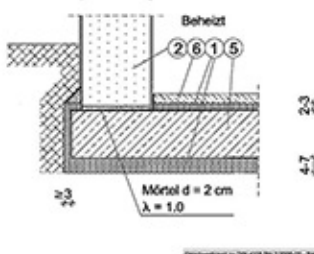


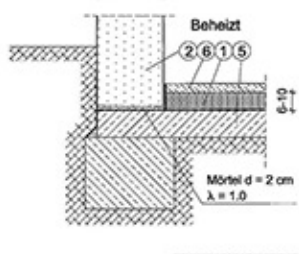
Detail I BOD-01  
LAC 2 - 0.55  
 $\lambda = 0.14$



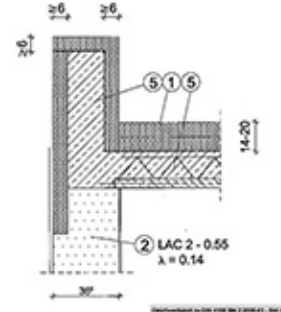
Detail I BOD-K01  
LAC 4 - 0.8  
 $\lambda = 0.21$



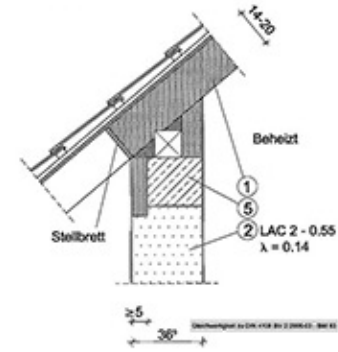
Detail I BOD-K02  
LAC 4 - 0.8  
 $\lambda = 0.21$



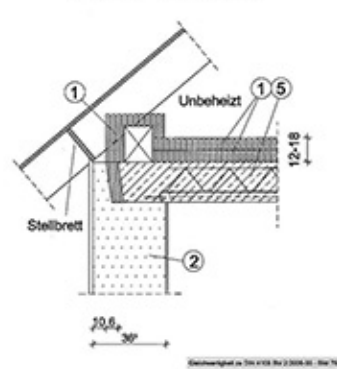
Detail I DA-A-01



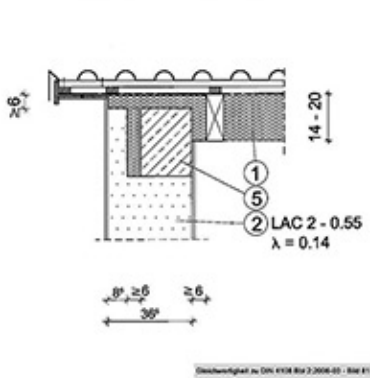
Detail I DA-D-01



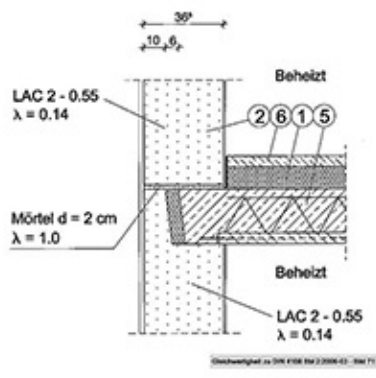
Detail I DA-01



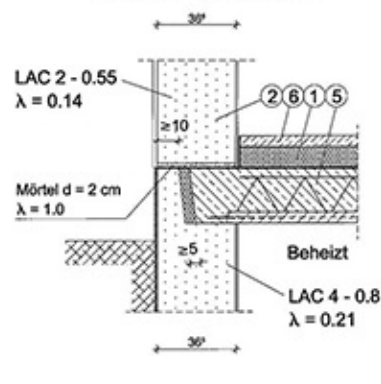
Detail I DA-O-01



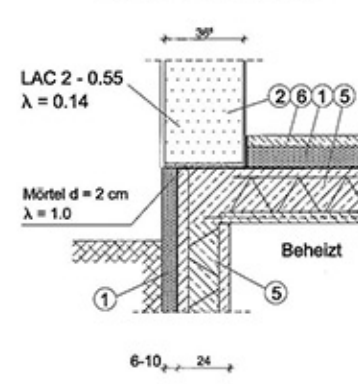
Detail I DE-01



Detail I DE-K01



Detail I DE-K02



Detail I DE-K03

